



CABLE RACK SUPPORTS

These Steel supports are used to mount cable racks away from the wall because of obstructions, limited space, or water seepage.

- HOT DIP GALVANIZED per ASTM A123 / A153

Common Sizes are displayed below:

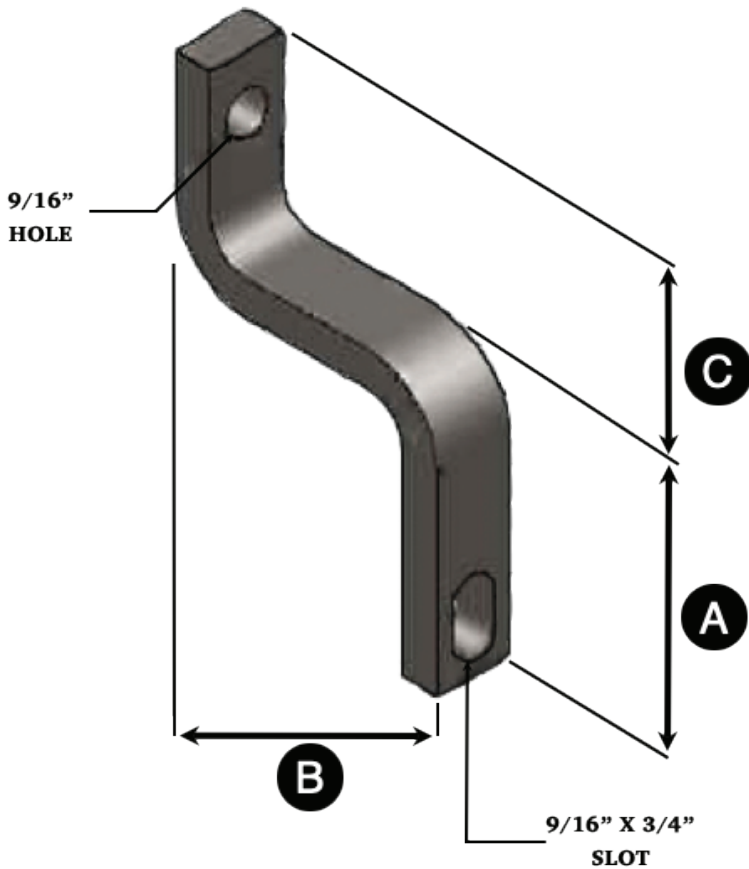


Chart of sizes and/or specifications

Material Inches	Dimension - Inches			Apps. Shipping Wt. Lbs. per 100 Pcs
	A	B	C	
1/2 X 1	3 - 3/4	3 - 5/8	2 - 1/4	110
1/2 X 1	5 - 1/4	6 - 9/16	2 - 3/8	175
1/2 X 1 - 1/4	5 - 1/4	6 - 9/16	2 - 3/8	230

Precast Concrete Solutions

• Engineered To Fit

• Built To Last

• Delivered On Time